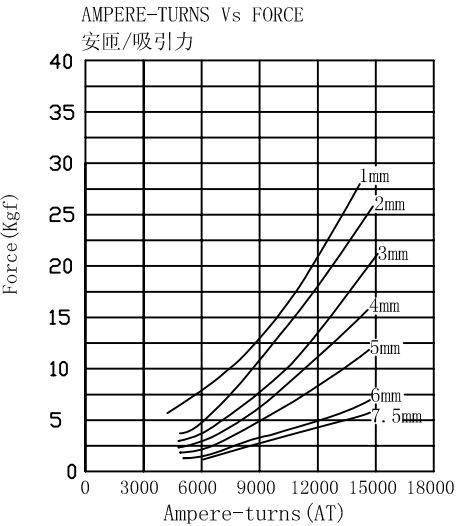
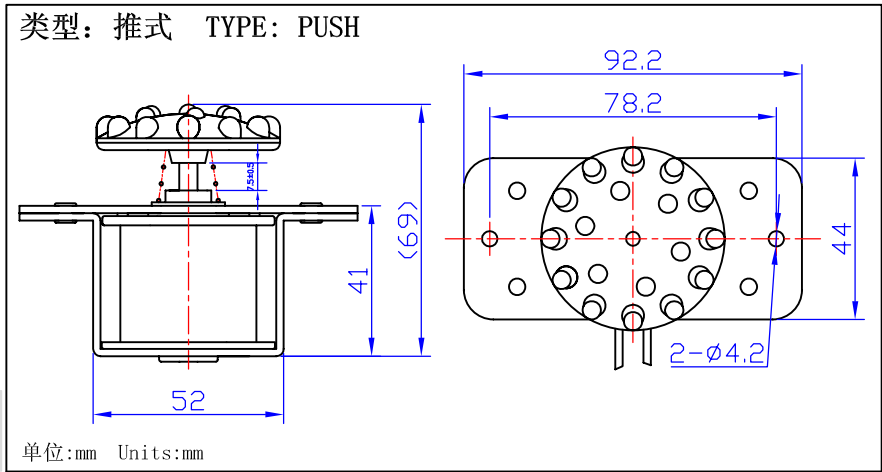


# ZHM-1550S Massager Solenoids

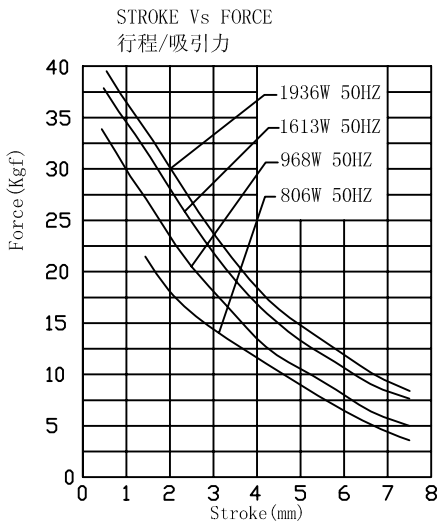


总重量 Total Weight: 520g  
应用范围: 用于按摩椅、按摩垫等  
APPLICATION: Massage Chair、Massage Pillow



## 综合特性 GENERAL FEATURES

- 力量: 保持力不低于6Kg  
FORCE: THE HOLDING FORCE IS NOT WEAKER THAN 6Kg
- 行程: 0 ~ 7.5mm  
STROKE: 0 ~ 7.5mm
- 温升: 最大100℃  
TEMPERATURE RISE: MEST 100 deg
- 寿命: 典型值为100万次 (连续)  
LIFE : REPETITIVE OPERATION FOR 1MILLION CYCLE (CONTINUOUS)
- 噪音: 空载条件下, 噪音小于60dB  
NOISE: EMPYT LOAD, THE NOISE IS LOWER THAN 60 dB
- 频率: 50/60Hz  
FREQUENCY: 50/60Hz



## COIL DATA线圈资料

Duty cycle (%) = $\frac{\text{"ON" time}}{\text{"ON" time} + \text{"OFF" time}} \times 100\%$ 工作周期 (%) = $\frac{\text{工作时间}}{\text{工作时间} + \text{断开时间}} \times 100\%$			连续 Continuous	间断 Intermittent		
			100%	50%	25%	10%
MAX. "on" time in seconds 最大工作时间 (秒)						
温控器控制温度 (°C)			120° C			
频率 (Hz)			50			
Type no.	Resistance (20°C) Ω ± 10%	No. Turns	VoltS DC 电压			
型号	阻值 (Ω) ± 10%	线圈匝数				
ZHM-1550S	7.5	1000	110			
	15	1370	110			
	25	1780	220			
	50	2300	220			

ZHM