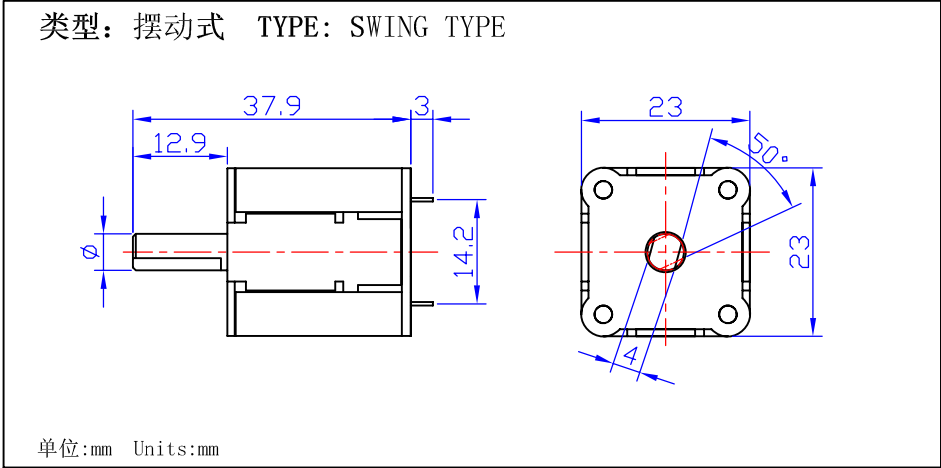


ZHS-5 Swing Solenoids



总重量 Total Weight: 45g
应用范围: 玩具等
APPLICATION: TOY etc



综合特性
GENERAL FEATURES

- | | |
|---------------------------------|---|
| 1. 最低工作电压
LEAST WORK VOLTAGE | DC14.8V
DC14.8V |
| 2. 耐电压
(DIELECTRIC STRENGTH) | 线圈和框架间AC1000V (50/60Hz) 1Min或
AC1200V (50/60Hz) 1Sec (击穿电流5mA)
BETWEEN COIL AND FRAME AC1000V (50/60Hz) 1Min OR
AC1200V (50/60Hz) 1Sec (5mA) |
| 3. 温升
(TEMPERATURE RISE) | 在电压DC-24V下, 温升为85℃Max
AFTER DC-24V APPLIED BY RESISTANCE METHOD 85 deg MAX |
| 4. 寿命
(LIFE) | 典型值为10万次 (通电1秒, 断电2秒)
REPETITIVE OPERATION FOR 0.1 MILLION CYCLE (ON: 1Sec
OFF: 2Sec) at DC12V |
| 5. 扭矩
KEEP FORCE | 50g
50g |

COIL DATA线圈资料

Duty cycle (%) = $\frac{\text{"ON" time}}{\text{"ON" time} + \text{"OFF" time}} \times 100\%$ 工作周期 (%) = $\frac{\text{工作时间}}{\text{工作时间} + \text{断开时间}} \times 100\%$			Continuous (100%) 连续 (100%)	Or less (50%) 间断 (50%)	Or less (25%) 间断 (25%)	Or less (10%) 间断 (10%)
MAX. "on" time in seconds 最大工作时间 (秒)			∞			
Watts at 20°C 瓦特数 (在20°C)			2.5			
Ampere-turns at 20°C 安匝值 (在20°C)			400			
Type no.	Resistance (20°C) Ω ± 10%	No. Turns	VoltS DC 电压			
型号	阻值 (Ω) ± 10%	线圈匝数				
ZHS-5	230	3840	24			