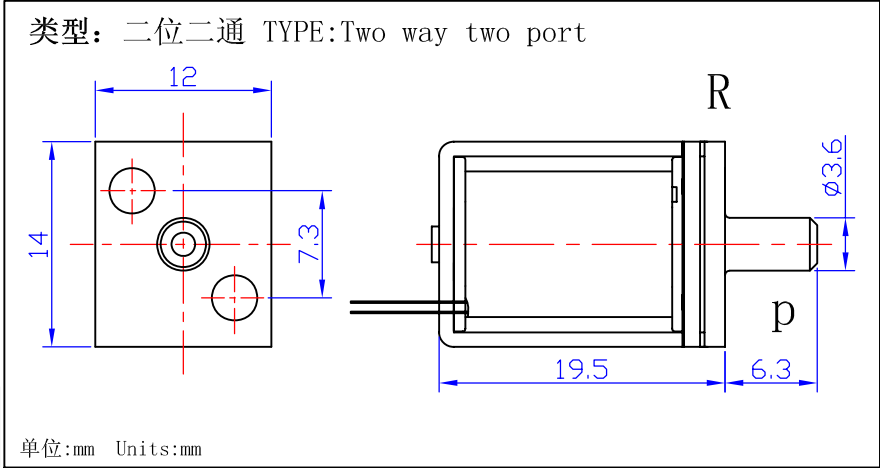


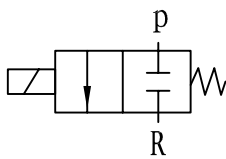
ZHV-0520L Solenoids Valve



总重量 Total Weight: 14g
应用范围: 电子血压计等
APPLICATION: BLOOD PRESSURE GAUGE etc



常闭排气型
(Gas use)
normal close



综合特性 GENERAL FEATURES

- 常用压力: 300mmHg
In common use pressure: 300mmHg
- 使用电压范围: DC2.7 ~ 3.3V
Use voltage range: DC2.7 ~ 3.3V
- 电流: 86mA (at DC 3V 20°C)
Current: 86mA (at DC 3V 20°C)
- 寿命: 典型值为50万次 (连续)
LIFE : REPETITIVE OPERATION FOR 0.5MILLION CYCLE (CONTINUOUS)
- 绝缘等级: B类
Insulation class: class B

COIL DATA线圈资料

$\text{Duty cycle (\%)} = \frac{\text{"ON" time}}{\text{"ON" time} + \text{"OFF" time}} \times 100\%$			Continuous (100%)	Or less (50%)	Or less (25%)	Or less (10%)
$\text{工作周期 (\%)} = \frac{\text{工作时间}}{\text{工作时间} + \text{断开时间}} \times 100\%$			连续 (100%)	间断 (50%)	间断 (25%)	间断 (10%)
MAX. "on" time in seconds 最大工作时间 (秒)			∞			
Watts at 20°C 瓦特数 (在20°C)			0.26			
Ampere-turns at 20°C 安匝值 (在20°C)			110			
Type no.	Resistance (20°C) Ω ±10%	No. Turns	VoltS DC 电压			
型号	阻值 (Ω) ±10%	线圈匝数				
ZHV-0520L	35	1290	3			

ZHV