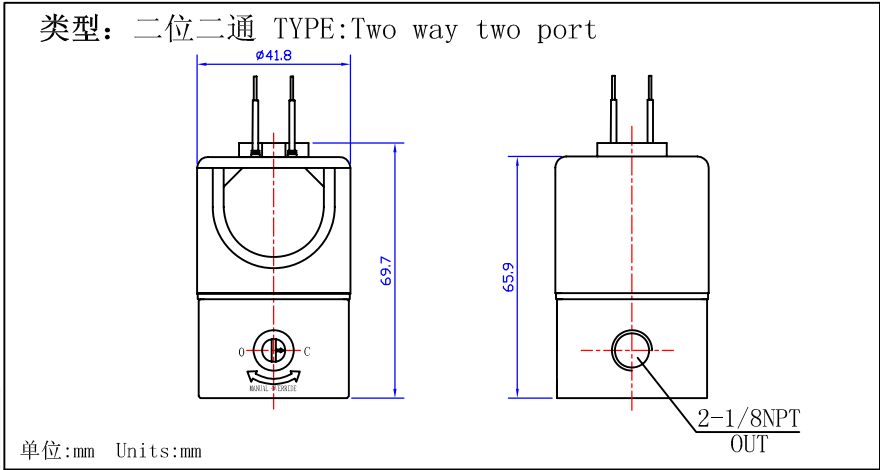


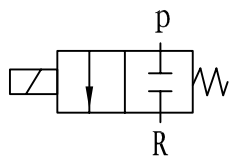
ZHV-1165L Solenoids Valve



总重量 Total Weight: 500g  
应用范围: 用于医疗设备等  
APPLICATION: MEDICAL EQUIPMENT



常闭排气型  
(Gas use)  
normal close



综合特性  
GENERAL FEATURES

- 常用压力: 3.5Kgf/cm<sup>2</sup>  
In common use pressure: 3.5Kgf/cm<sup>2</sup>
- 使用压力范围: 5Kgf/cm<sup>2</sup>  
Use pressure range: 5Kgf/cm<sup>2</sup>
- 电流: 800mA (at DC 12V 20°C)  
Current: 800mA (at DC 12V 20°C)
- 寿命: 典型值为30万次 (连续)  
LIFE : REPETITIVE OPERATION FOR 0.3MILLION CYCLE (CONTINUOUS)
- 频率: 50/60Hz  
FREQUENCY: 50/60Hz

COIL DATA线圈资料

| Duty cycle (%) = $\frac{\text{"ON" time}}{\text{"ON" time} + \text{"OFF" time}} \times 100\%$<br>工作周期 (%) = $\frac{\text{工作时间}}{\text{工作时间} + \text{断开时间}} \times 100\%$ |                              |           | Continuous (100%)<br>连续 (100%) | Or less (50%)<br>间断 (50%) | Or less (25%)<br>间断 (25%) | Or less (10%)<br>间断 (10%) |
|--|------------------------------|-----------|--------------------------------|---------------------------|---------------------------|---------------------------|
| MAX. "on" time in seconds<br>最大工作时间 (秒)  |                              |           | ∞                              |                           |                           |                           |
| Watts at 20°C<br>瓦特数 (在20°C)   |                              |           | 9.6                            |                           |                           |                           |
| Ampere-turns at 20°C<br>安匝值 (在20°C)  |                              |           | 896                            |                           |                           |                           |
| Type no.   | Resistance (20°C)<br>Ω ± 10% | No. Turns | VoltS DC<br>电压                 |                           |                           |                           |
| 型号   | 阻值 (Ω) ± 10%                 | 线圈匝数      |                                |                           |                           |                           |
| ZHV-1165L  | 15                           | 1120      | 12                             |                           |                           |                           |
|  |                              |           |                                |                           |                           |                           |
|  |                              |           |                                |                           |                           |                           |

ZHV